

BS8723-5

Data model - XML Schema

Table of content

- Introduction
- Model and XML Schema
- Testing
- Difficulties and uncertainties

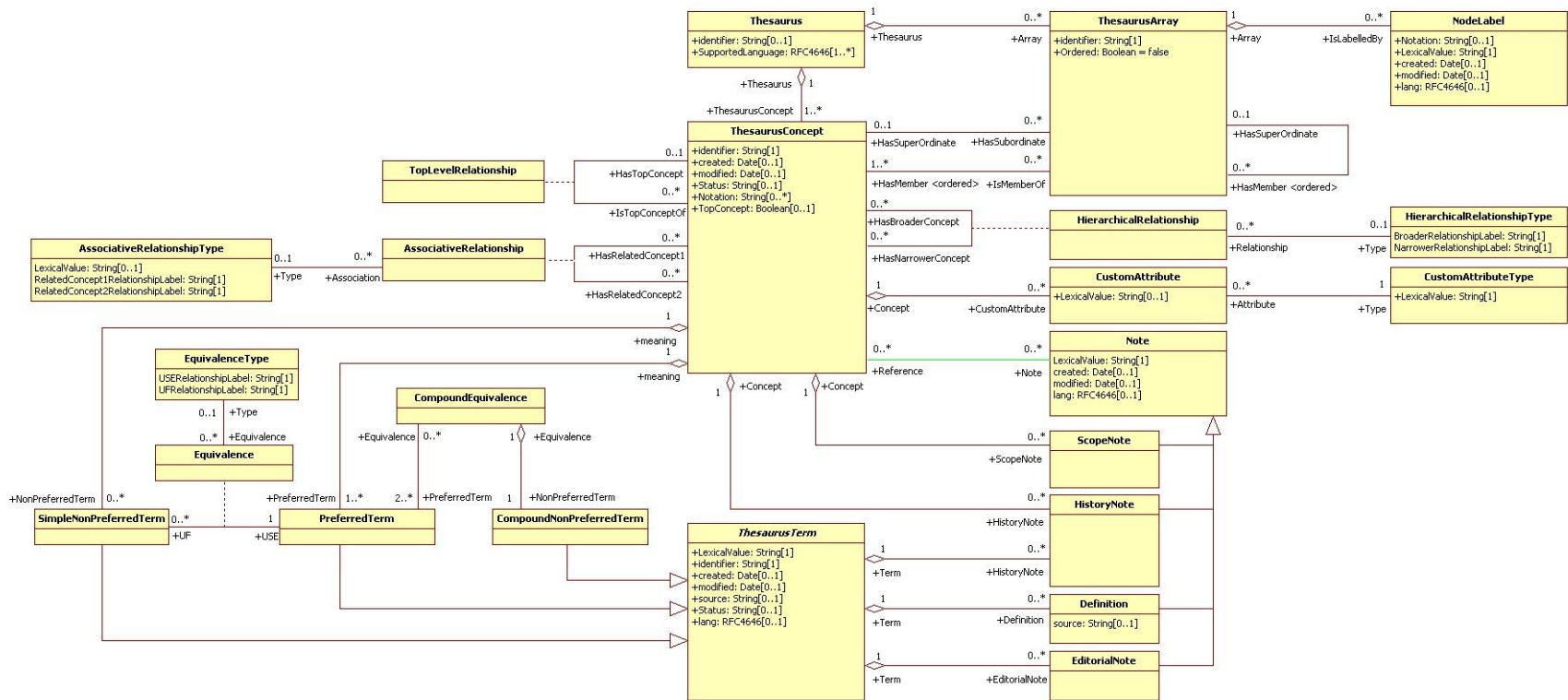
Introduction

- Scope
 - Monolingual thesauri (BS8723-2)
 - Multilingual thesauri (BS8723-4 clause 4.2)
- Joined effort of the BS8723-5 working group
 1. Define a model
 2. Define a format

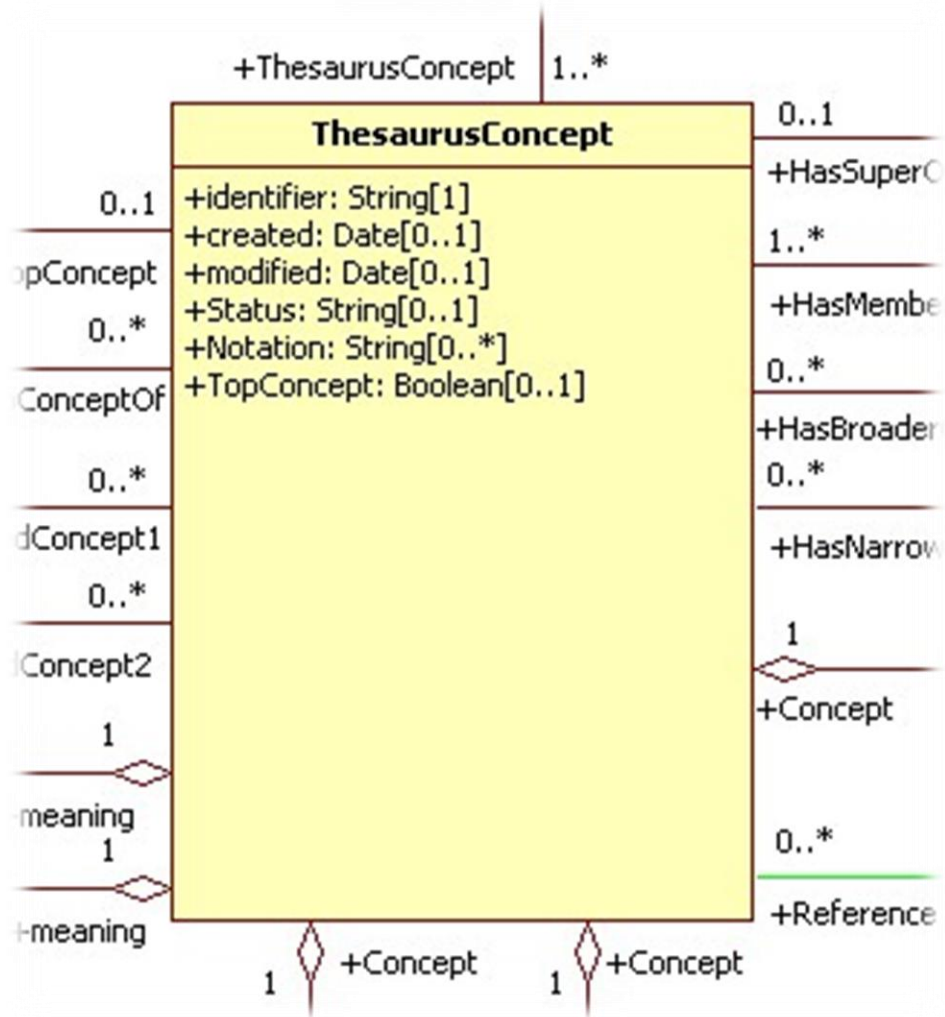
Model and XML Schema

- Why a model?
 - Ensures that the requirements are understood and anticipated
 - Anticipates the needs for extensions and other bindings

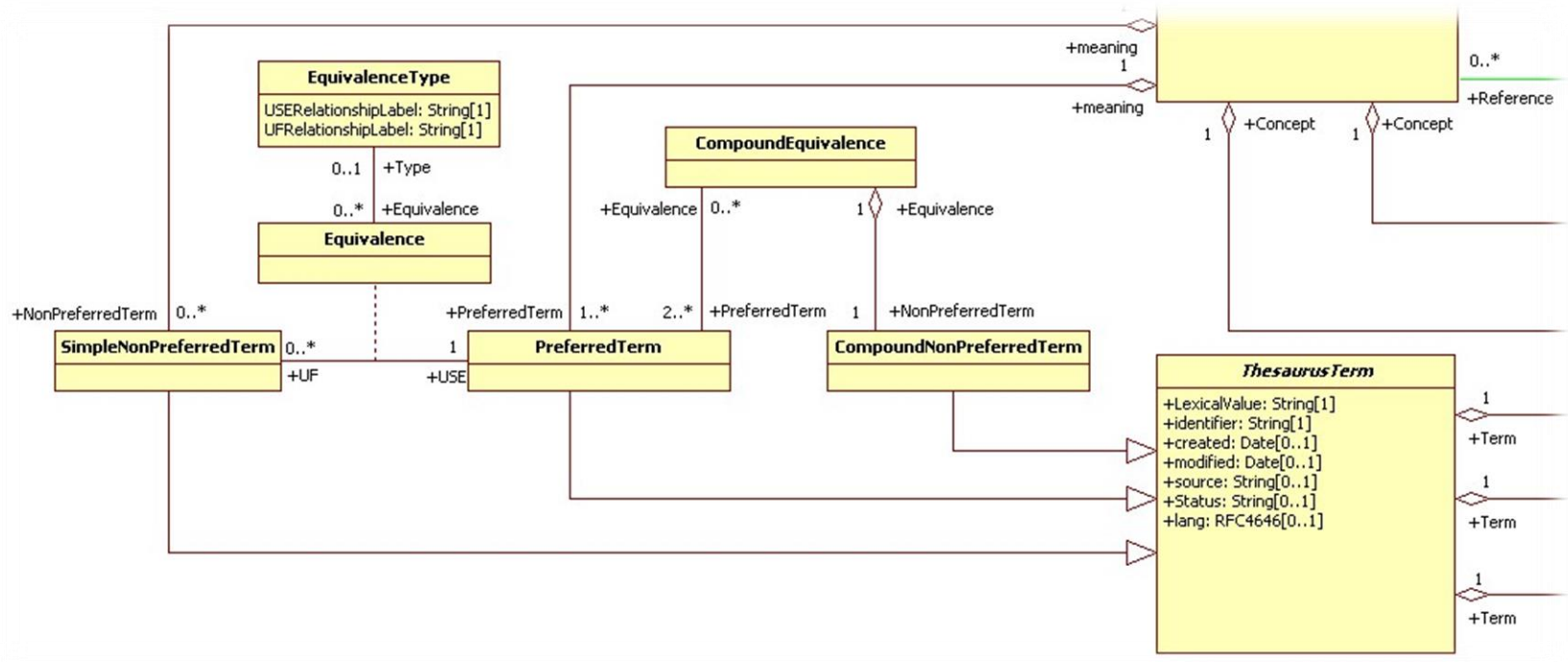
Model and XML Schema



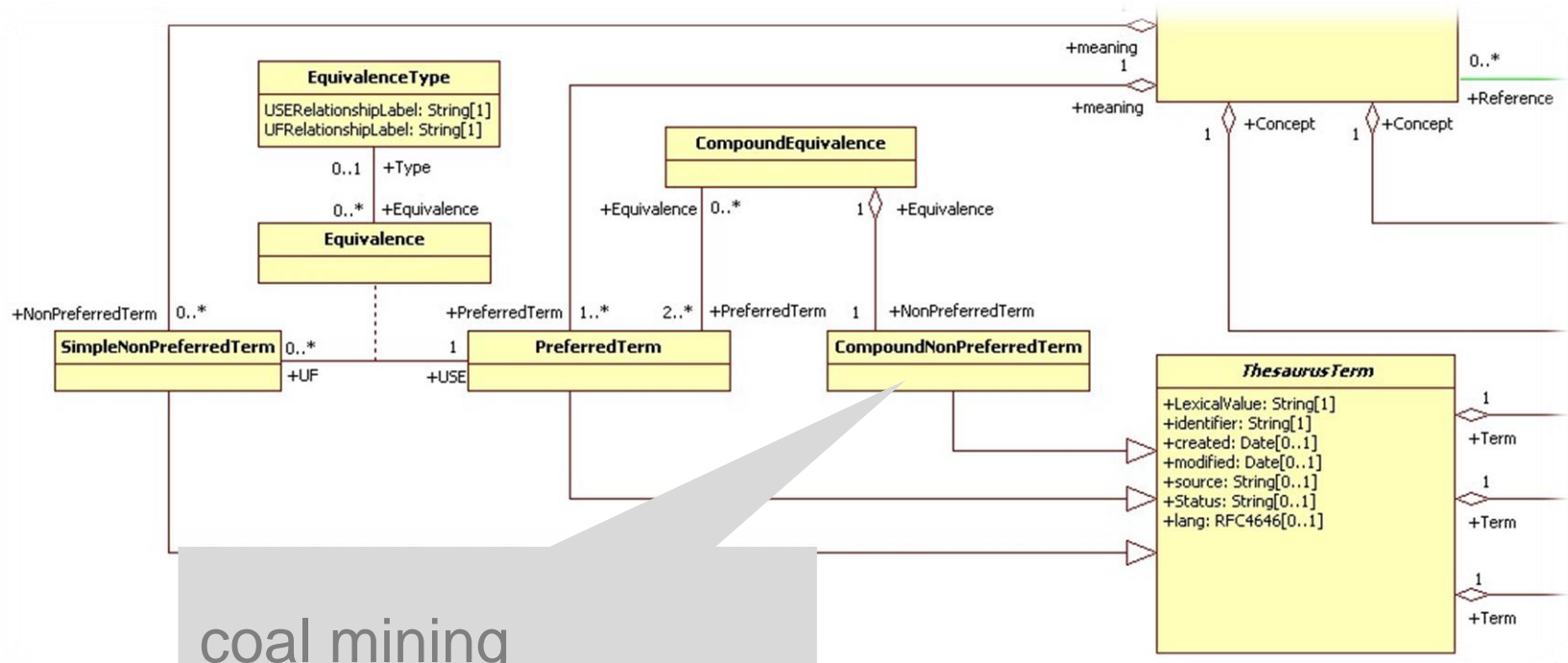
Model and XML Schema



Model and XML Schema

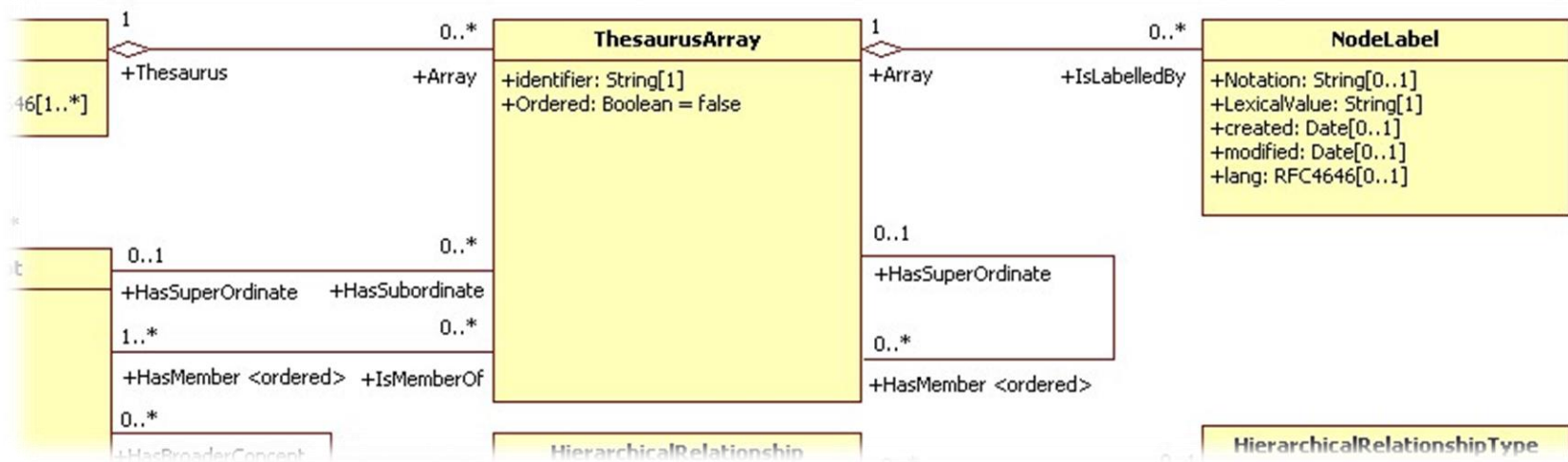


Model and XML Schema

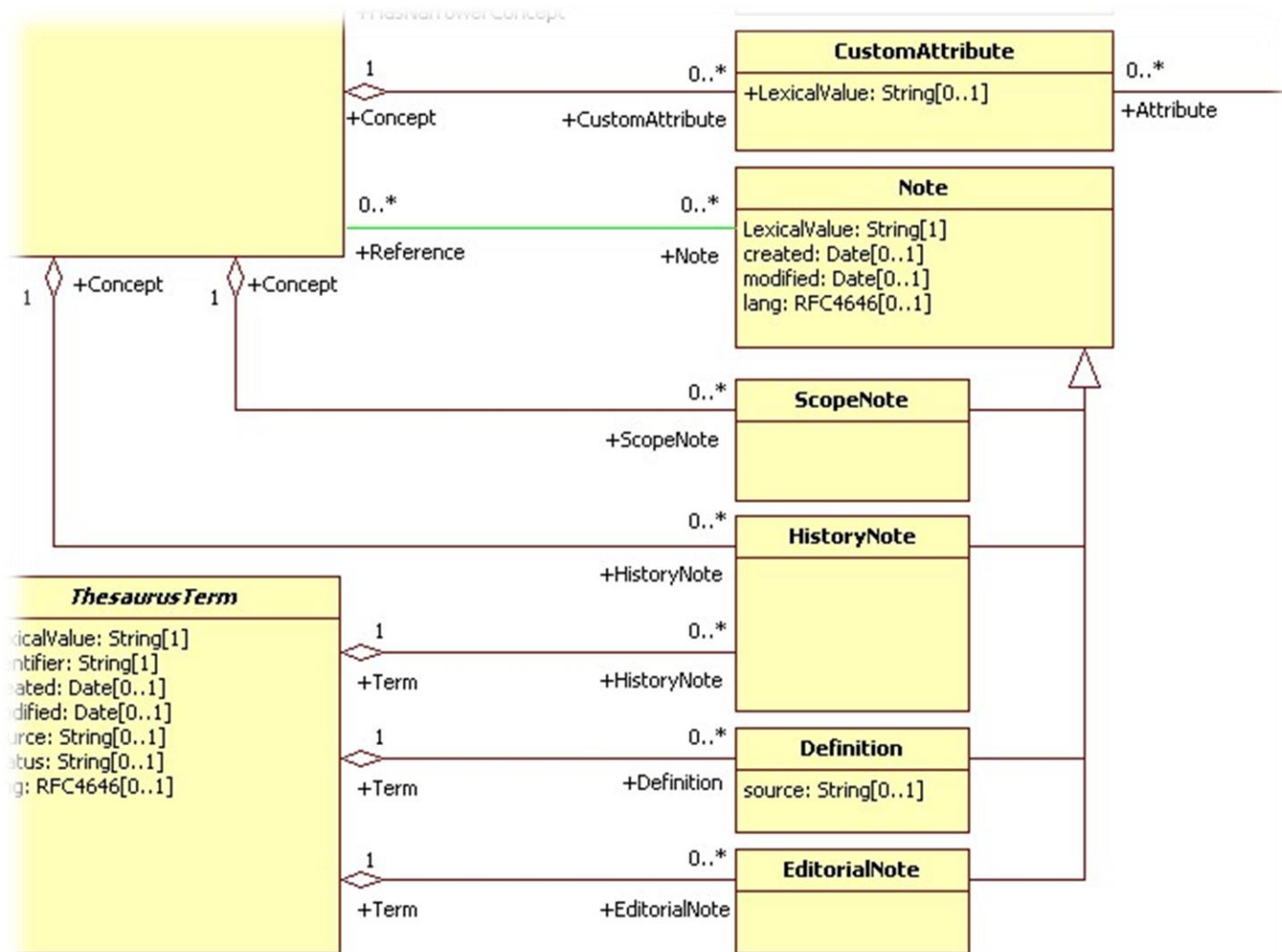


coal mining
 USE: coal
 + mining

Model and XML Schema



Model and XML Schema



Testing

- Automatic generation of
 - Alphabetical display
 - Hierarchical display
 - Classified display
- Zthes → BS8723-5
- BS8723-5 → Zthes
- SKOS → BS8723-5
- BS8723-5 → SKOS

Testing

- Automatic generation of
 - Alphabetical display
 - Hierarchical display
 - Classified display
- Zthes → BS8723-5
- BS8723-5 → Zthes
- SKOS → BS8723-5
- BS8723-5 → SKOS

cow milk

BT: milk

milk

BT: dairy products

NT: buffalo milk

cow milk

Testing

- Automatic generation of
 - Alphabetical display
 - Hierarchical display
 - Classified display
- Zthes → BS8723-5
- BS8723-5 → Zthes
- SKOS → BS8723-5
- BS8723-5 → SKOS

milk

- . <milk by source animal>
- . . buffalo milk
- . . cow milk
- . . goat milk

Testing

- Automatic generation of
 - Alphabetical display
 - Hierarchical display
 - Classified display
- Zthes → BS8723-5
- BS8723-5 → Zthes
- SKOS → BS8723-5
- BS8723-5 → SKOS

agricultural industries
 . <people>
 . . dairy personnel
 . . farm managers
 . . shepherds

Testing

- Automatic generation of
 - Alphabetical display
 - Hierarchical display
 - Classified display
- Zthes → BS8723-5
- BS8723-5 → Zthes
- SKOS → BS8723-5
- BS8723-5 → SKOS

Difficulties and uncertainties

- Difficulties
 - “Concept based” vs “Term based”
 - Amount of work for testing
- Areas of uncertainty
 - Compound non-preferred terms
 - Custom types of relationships

Difficulties and uncertainties

- Difficulties
 - “Concept based” vs “Term based”
 - Amount of work for testing
- Areas of uncertainty
 - Compound non-preferred terms
 - Custom types of relationships



Evaluating Zthes as an alternative to the current XML Schema

Difficulties and uncertainties

- Difficulties
 - “Concept based” vs “Term based”
 - Amount of work for testing
- Areas of uncertainty
 - Compound non-preferred terms
 - Custom types of relationships



coal mining
USE: coal
+ mining

Resources

Model, XML Schema, Examples, etc.
available from

<http://schemas.esd.org.uk/BS8723/>

Comments welcomed:

ncochard@porism.com